

UNITED STATES PATENT

Granted on November 10, 1998 to

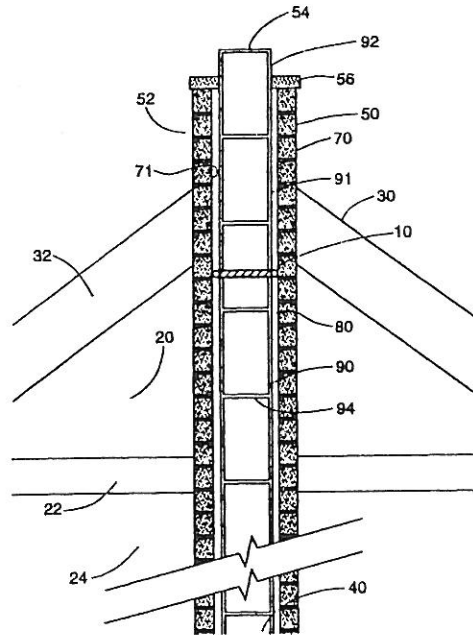
William B. Hussel

- INVENTOR -

Patent No. 5,832,682
CHIMNEY MOISTURE SEAL

The
United
States
of
America

1. In combination with a chimney structure having an exterior end, a veneer wall structure, a flue structure, an air space located between said veneer wall structure and said flue structure, and a building having a roof, a predetermined portion of said chimney structure exterior end extending through said roof; the improvement comprising a moisture sealing mechanism, said moisture sealing mechanism being a single ring, sealingly positioned in said air space between said veneer wall and said flue structure.



The Commissioner of Patents and Trademarks has received an application for a patent for a new and useful invention. The requirements of law have been complied with, and it has been determined that a patent on the invention shall be granted under the law. Therefore, this

United States Patent

Grants to the person or persons having title to this patent the right to exclude others from making, using, selling or importing the invention throughout the United States of America for the term of seventeen years, or twenty years if filed on or before June 8, 1995, from the filing date of this patent, subject to the payment of maintenance fees as provided by law.



Bruce Lehman

Commissioner of Patents and Trademarks

**CHIMNEY
DOCTORS**

